

# HART HISTORIC DISTRICT

Several historical collections are displayed at the Hart Historic District in downtown Hart, Michigan at the corner of Lincoln and Union Streets, four blocks east of the post office.

*See how volunteers made a historic district containing the most buildings and collections in Oceana County.*

- Located in downtown Hart on the edge of Chippewa Creek in an old business section.
- Designated by the City of Hart in 1984 as a historical site.
- Site of Centennial Northern Market Chesapeake/Ohio Railroad deadhead.
- The District is operated by a 501 (c) 3 non-profit organization, Hart Heritage Preservation Group, Inc.

## HISTORIC BUILDINGS

- |  |                                 |
|--|---------------------------------|
| 1858 Native American Log Cabin<br>Cobmoosa House | 1920 Schaner Feed Mill          |
| 1868 Hart Railroad Depot                         | 1926 Glover Railroad<br>Caboose |
| 1876 Randall School                              | 1947 Log House                  |
| 1897 Sackrider Church                            | 1993 B.R. Mudget Pavilion       |
| 1917 Mudget Wood Shop                            | 2002 Heritage Hall              |
| 1917 Wilde Blacksmith Shop<br>(Privately Owned)  | 2005 Heritage Complex           |

*When you visit these attractions, you will step back 150 years into the past. Such a collection did not start in our time, but we hope the beauty, tranquility, heritage and growth will last forever. Your visit will be an event you will want to tell your friends about.*

## IN THE COMMUNITY

- Historic Downtown Hart
- Antique Shops
- Businesses/Restaurants
- Veteran's Park picnic area
- John Gurney Park  
Campground
- Hart/Montague Bike Trail
- Commons Park

## EVENTS

- Friday concerts in July and August 7:00 p.m.
- Heritage Day.
- Check local advertising for other events.
- The Hart Historic District is available to host your next event.

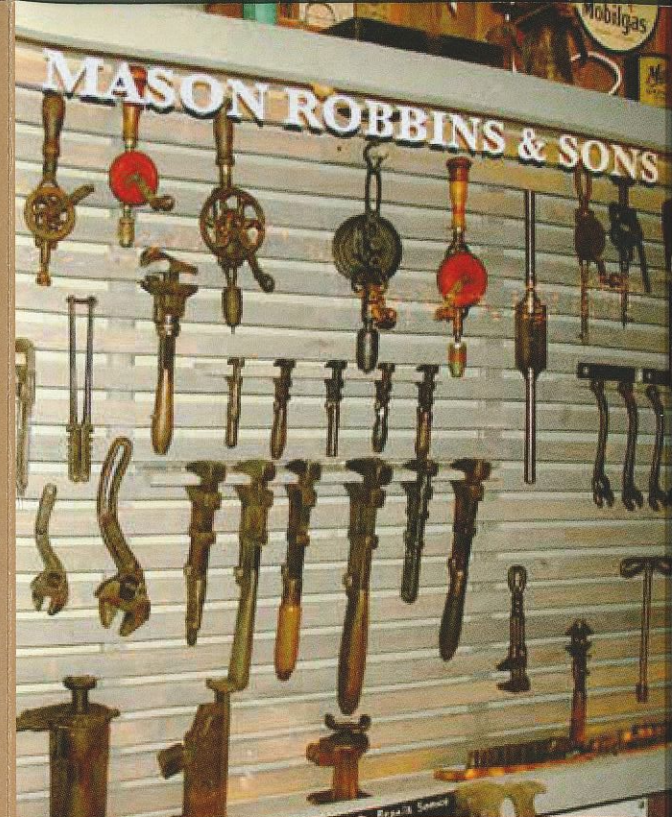
## MUSEUM

- Perry Carpenter Tool Collection
- Rider Indian Artifacts, thousands of pieces
- Don Wierenga Antique Buggy & Cutter Display
- Powell's Miniature Piano Collection
- Powers/Stevens Animated Dolls Display
- Antique Pipe Organ
- Mudget Wildlife Mount Collection
- Trommater Antique Dairy (1926)
- Trommater Antique Parlor
- Antique Fire Station
- Firemen's Memorabilia
- World War II Memorabilia
- Nostalgia Pictures
- Malburg Fish and Marine Collection
- Don Weiner Kitchen Collection
- Antique Logging Collection
- Wittman Girl Scout Exhibit

CURATOR - HART HERITAGE PRESERVATION GROUP, INC.

*The County's Most Unique Attraction*

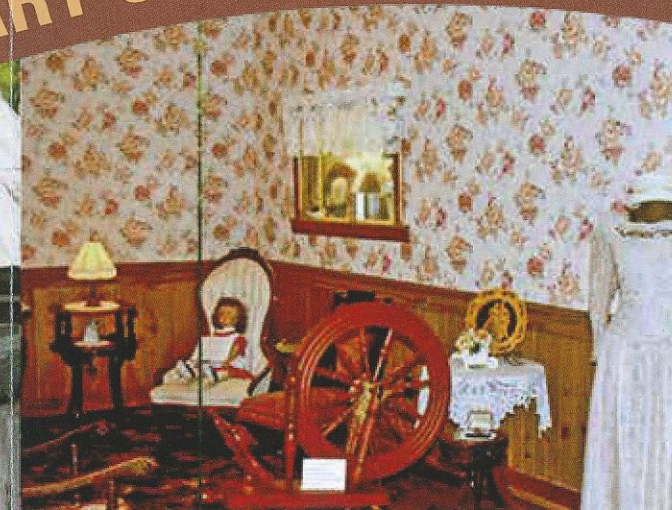
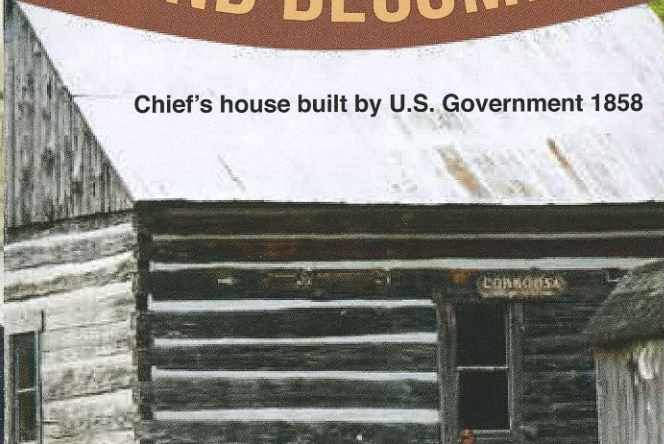
Scenic – Educational – Historic



VISIT US FOR A TOUR AND BECOME PART OF OUR FAMILY



Chief's house built by U.S. Government 1858



*Step into the past...*  
**HART HISTORIC DISTRICT & MUSEUM**

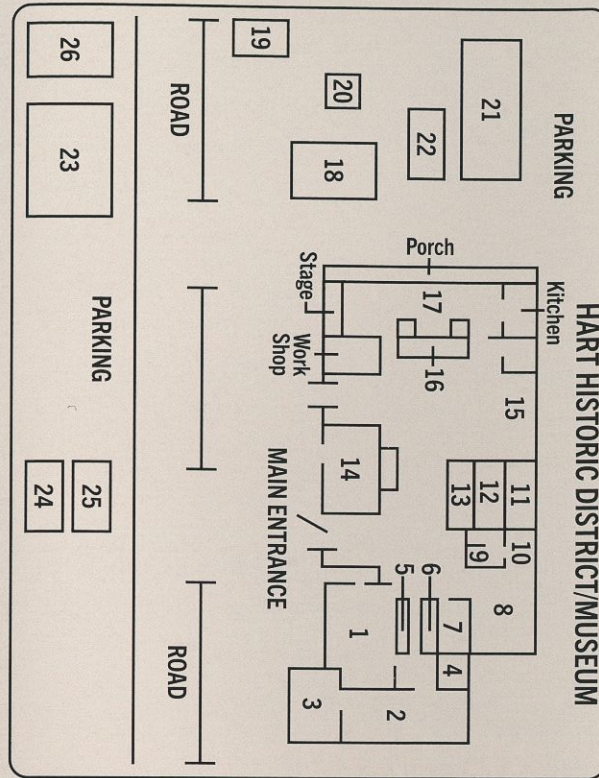
OPEN JUNE 15 – SEPTEMBER 15  
11:00 a.m. - 4:00 p.m.  
Tuesday - Friday  
or by appointment  
Guided Tours Available

CONTACT

Message: 231-873-7604  
Facebook: Hart Historic District



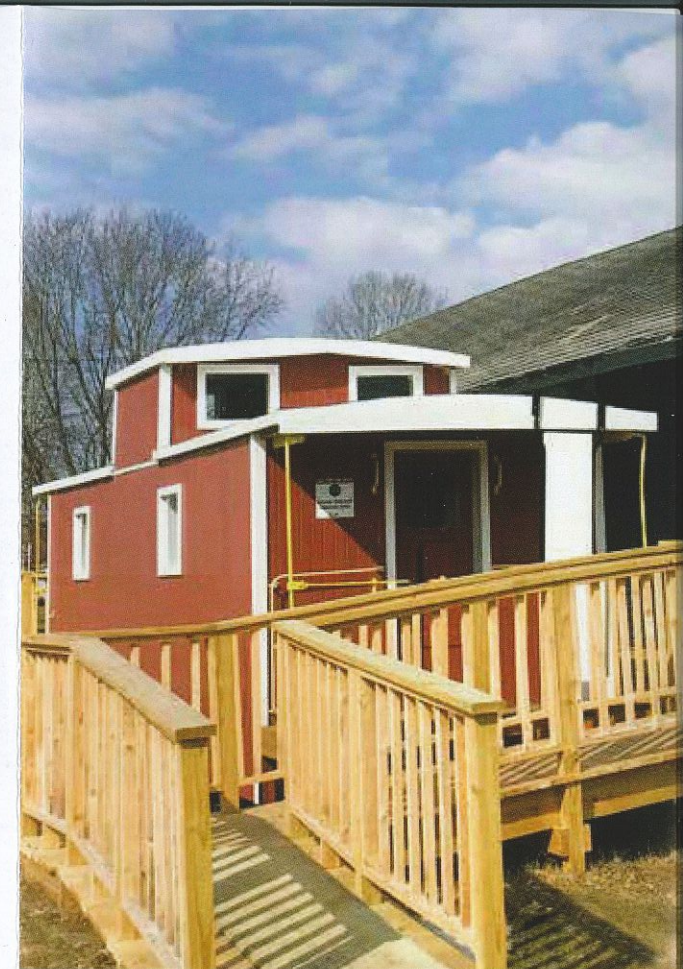
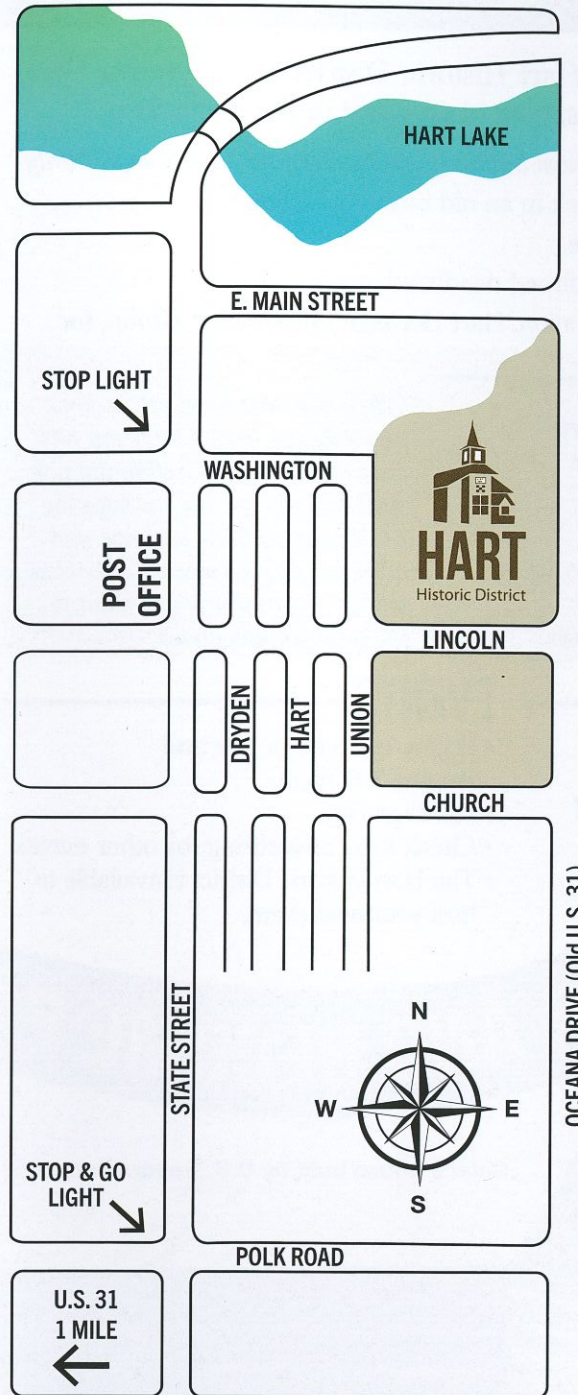
Hart Historic District/Museum  
**GUIDE BY CELL**  
 (231) 742-4134



Visiting Us Is Better

*Step into the past...*  
**HART HISTORIC DISTRICT & MUSEUM**

1. Animated Doll Collection Powers-Stevens
2. Kitchen Tool Collection Don Weiner
3. Antique Fire Station
4. Trommater Antique Dairy
5. Historical Memorabilia on South Wall Hallway
6. Model Tractor Collection Joe Merten
7. Trommater Antique Parlor
8. Mudget Wildlife Mount Collection
9. Fish and Marine Collection Sally Malburg
10. World War II Memorabilia Bob Mudget
11. 1870 Antique Logging Collection
12. Carpenter Tool Collection George Perry
13. North Wall Military Display South Wall Bill Heggs Antique Pictures
14. Indian Artifact Collection Seymour Rider
15. Antique Buggy & Cutter & Tate Farm Truck Don & Jeanne Wierenga
16. Mechanics & Service Garage Tools Mason Robbins & Son
17. Heritage Hall
18. Mudget Pavilion
19. Sackrider UBC Church
20. Randall School
21. Hart Railroad Depot
22. Glover Railroad Caboose 1926
23. Schaner Feed Mill 1920
24. 1858 Native American Log Cabin of Chief Cobmoosa
25. 1947 Log Cabin
26. Carpenter Shop



*Step into the past...*  
**HART HISTORIC DISTRICT & MUSEUM**

570 E. Lincoln Street  
 4 Blocks East of Post Office  
 Downtown Hart, MI 49420  
**(231) 873-2488**  
[www.ci.hart.mi.us](http://www.ci.hart.mi.us)